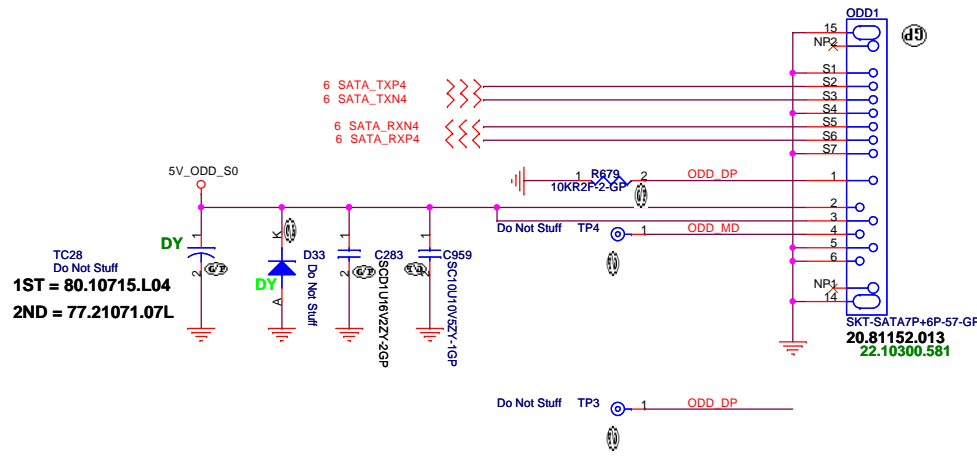
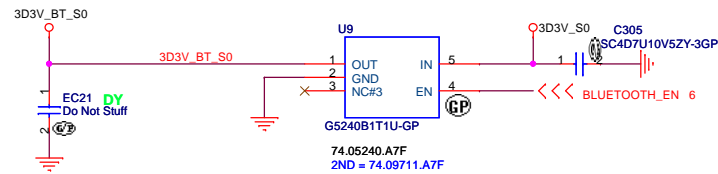


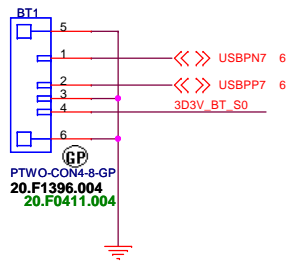
# ODD Connector



# BLUETOOTH MODULE

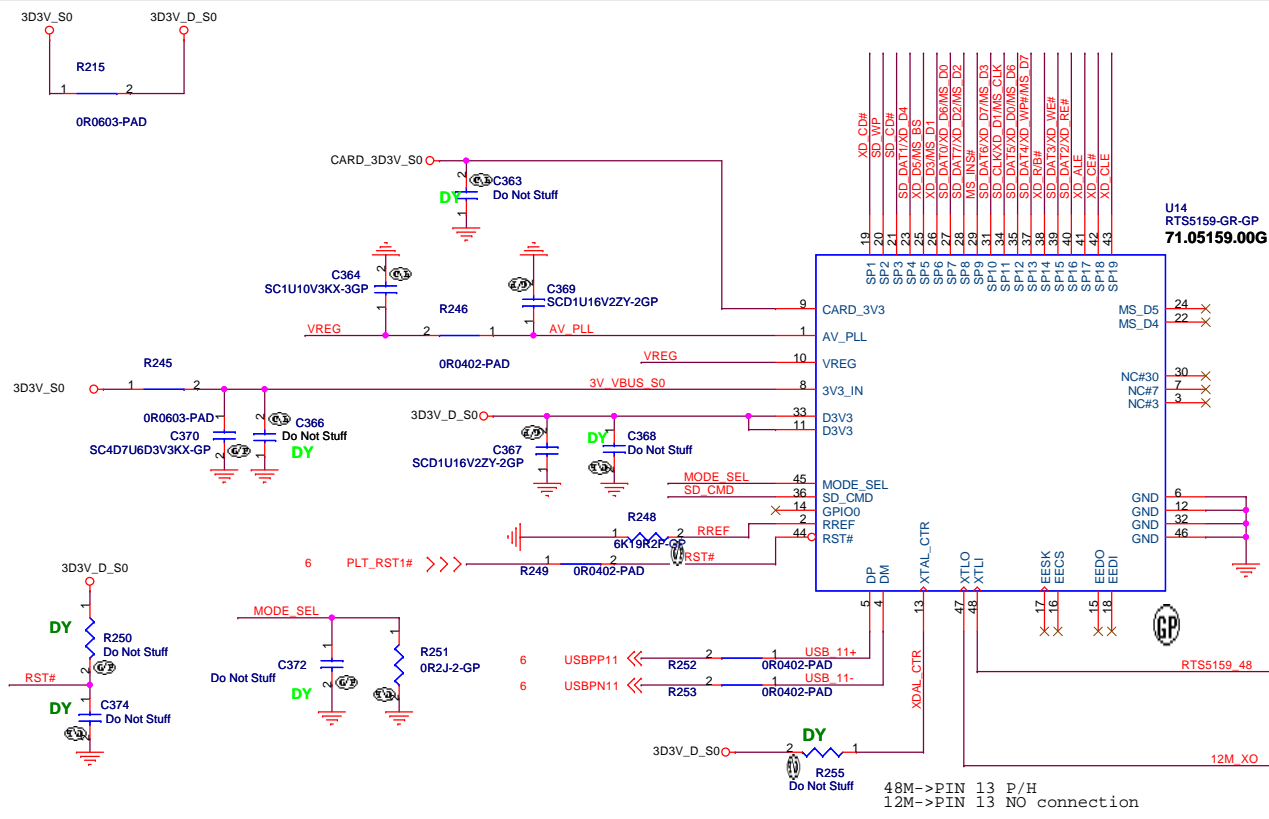


EC21 put near  
BT1 / all USB  
put one choke  
near  
connector by  
EMI request

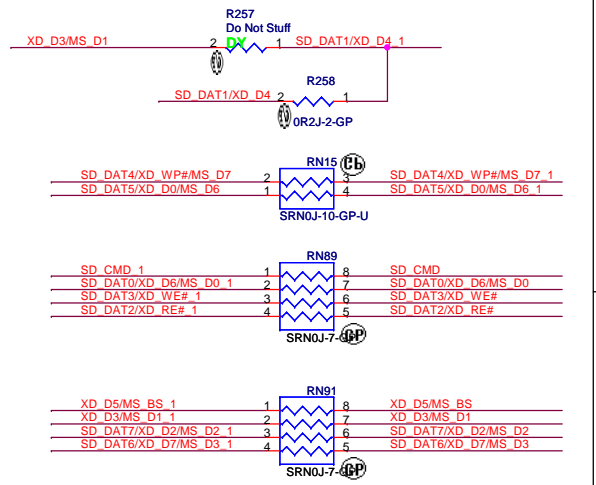
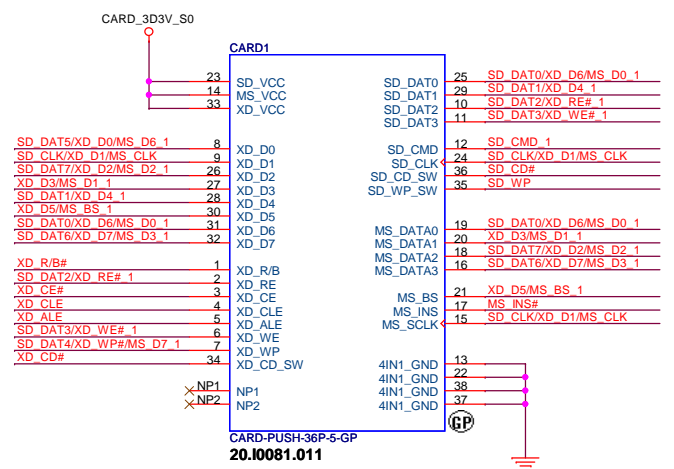
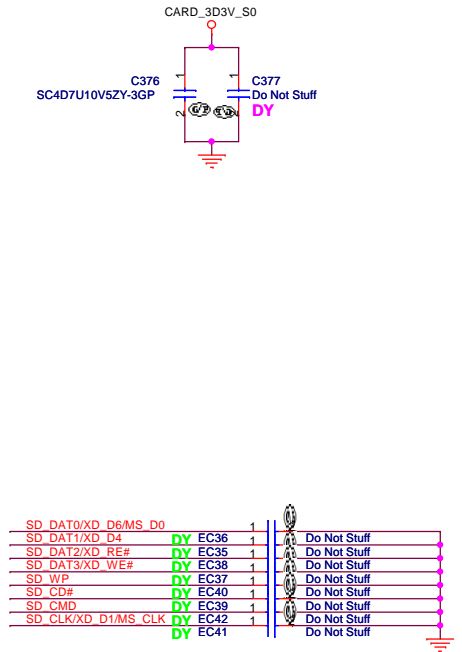


BT AFTE





### 4 IN1 CARD-READER (SD/MMC/MS/XD)



**緯創資通 Wistron Corporation**  
21F, 88, Sec.1, Hsin Tai Wu Rd., Hsichih, Taipei Hsien 221, Taiwan, R.O.C.

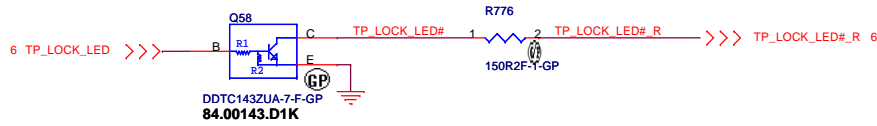
Title: **CARDREADER RTS5159**

Size: Document Number **JM41 CARDREADER BD** Rev: -1

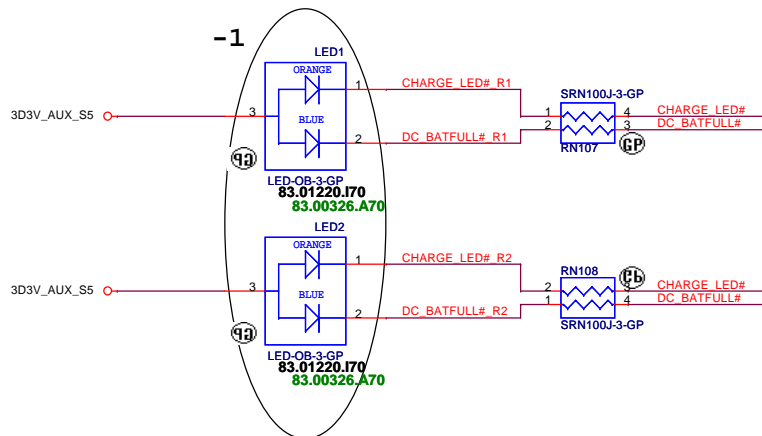
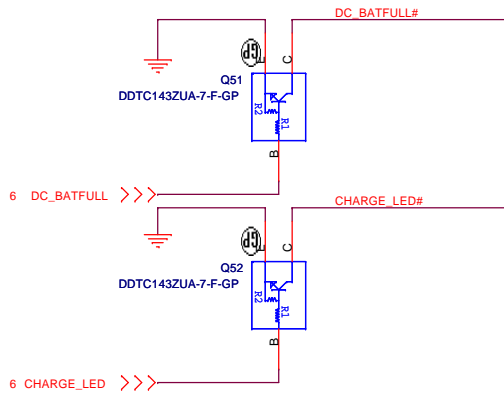
Date: Tuesday, March 10, 2009 Sheet 3 of 7



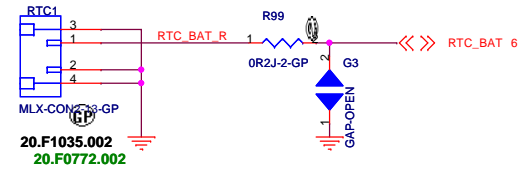
# TP LOCK LED



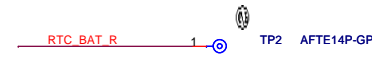
# BATFULL & CHARGE LED

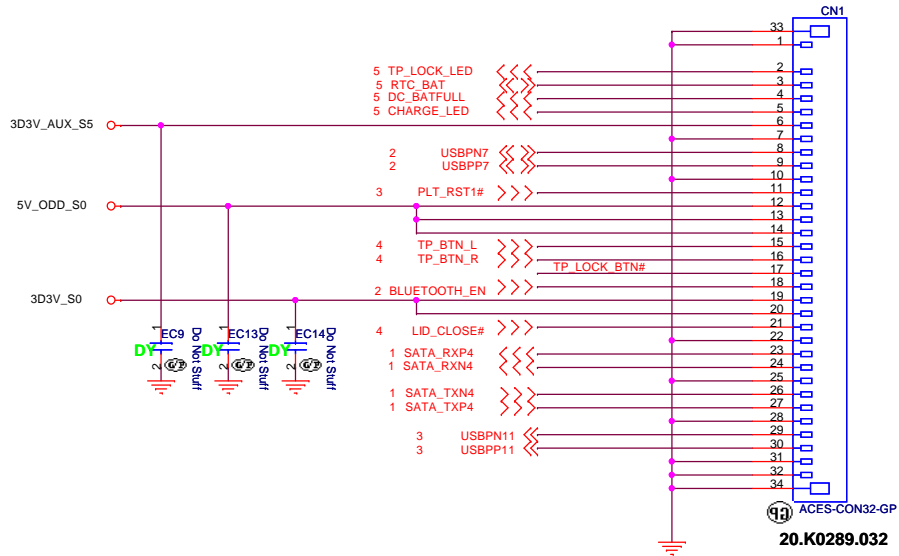


# RTC CONN



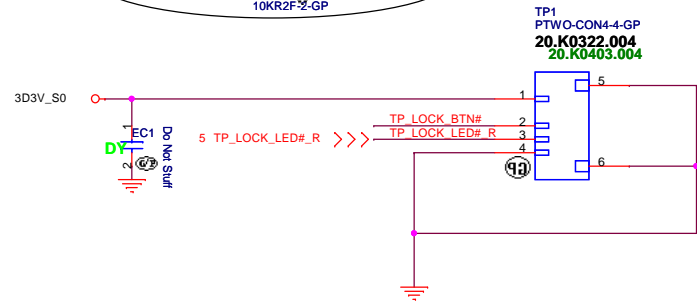
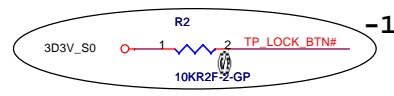
# RTC AFTE





CR BD AFTE

TP_LOCK_LED	1	TP11	Do Not Stuff
RTC_BAT	1	TP12	AFTE14P-GP
DC_BATFULL	1	TP13	Do Not Stuff
CHARGE_LED	1	TP14	Do Not Stuff
3D3V_AUX_S5	1	TP15	Do Not Stuff
USBPN7	1	TP5	AFTE14P-GP
USBPP7	1	TP6	AFTE14P-GP
5V_ODD_S0	1	TP18	Do Not Stuff
TP_BTN_L	1	TP19	Do Not Stuff
TP_BTN_R	1	TP20	Do Not Stuff
BLUETOOTH_EN	1	TP21	Do Not Stuff
3D3V_S0	1	TP22	Do Not Stuff
LID_CLOSE#	1	TP23	Do Not Stuff
SATA_RXP4	1	TP24	Do Not Stuff
SATA_RXN4	1	TP25	Do Not Stuff
SATA_TXN4	1	TP26	Do Not Stuff
SATA_TXP4	1	TP27	Do Not Stuff
USBPN11	1	TP28	Do Not Stuff
USBPP11	1	TP29	Do Not Stuff



TP AFTE

3D3V_S0	1	TP8	Do Not Stuff
TP_LOCK_BTN#	1	TP9	Do Not Stuff
TP_LOCK_LED# R	1	TP10	Do Not Stuff

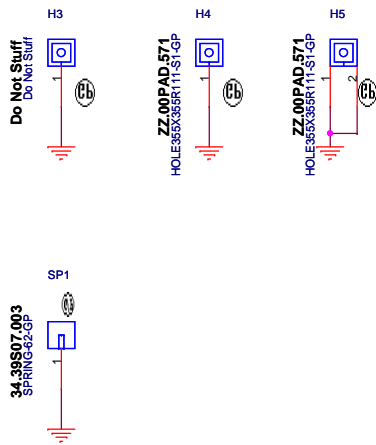
SB

緯創資通 Wistron Corporation  
21F, 88, Sec.1, Hsin Tai Wu Rd., Hsichih,  
Taipei Hsien 221, Taiwan, R.O.C.

Title  
**CARDREADER BD CONN**

Size	Document Number	Rev
	<b>JM41 CARDREADER BD</b>	-1

Date: Tuesday, March 10, 2009 Sheet 6 of 7



緯創資通 <b>Wistron Corporation</b> 21F, 88, Sec.1, Hsin Tai Wu Rd., Hsichih, Taipei Hsien 221, Taiwan, R.O.C.	
<b>EMI/Spring/Boss</b>	
Size	Document Number
<b>JM41 CARDREADER BD</b>	
Date: Tuesday, March 10, 2009	Sheet 7 of 7
Rev -1	